



## Gigatherm Gourmet System

# GGM Duo

### Bottom & Top Heat

Microwave insertion from top and bottom for fast, gentle cooking and even heating



### Powerful microwave oven for professional operation in the gastronomy and food service area.

With the GGM Duo, gentle and high-quality cooking of vegetables, fish and meat, as well as fast reliable re-heating is guaranteed at all times.



#### Anti-Cold-Spots-technology

Optimised microwave insertion (1850 Watt) avoids «cold spots»



#### 3-phase programming

6 program keys, which can be assigned with up to 3 program steps each



#### Quick control

Rotary and push button for quick selection and confirmation



#### Audible & visual signal

An optical as well as an acoustic signal at the end of the process



#### Continuous operation

Suitable for continuous operation thanks to its solid construction



## Gigatherm Gourmet System

# The symphony of your kitchen

### Professional technology for the gastronomy

Whether combined as a system or as a stand-alone appliance: The Gigatherm Gourmet system can be tailored precisely to the needs of the individual kitchen disciplines. Thanks to its compact design and stackability, it is also suitable for narrow kitchens.



#### **GGH**

Hot air oven  
with adjustable fan



#### **GGM**

Microwave oven with  
Anti-Cold-Spots technology



#### **GGR**

Smoker with vacuum  
technology



Int. Patents reg.

## Technical data

# GGM Duo



## Microwave oven

with Anti-Cold-Spots-technology

### General

Appliance type	Microwave cooking oven
Microwave power (w)	1850 (850 top, 1000 bottom)
Cavity volume (l)	20
Power supply	230V, 16 A, 50Hz
Dimensions (h x w x d mm)	312 x 490 x 625
Weight (kg)	44.6

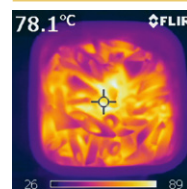
### Finishings

Housing	stainless steel
Display	LCD
Door	glass/black
Door handle	stainless steel, massive
Door latch	magnetic
Door hinge	left

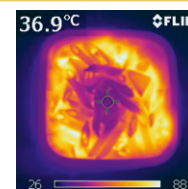
### Features

Cavity size (h x w x d mm)	176 x 328 x 346 (Ø 32 suitable)
Microwave power levels	adjustable in 50-watt steps
6 programme memories	with 3 program steps each
Cooking timer	max. 30 minutes
Operation	electronic
Continuous operation	suitable

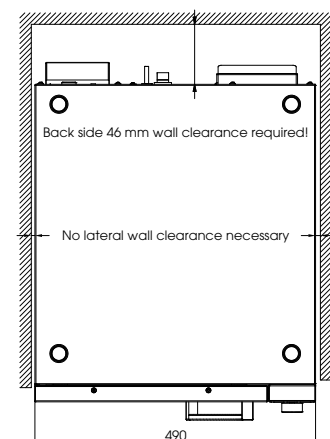
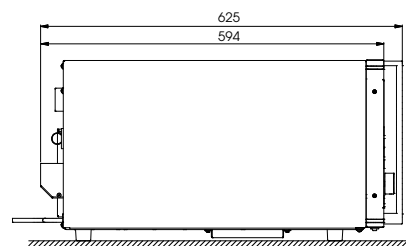
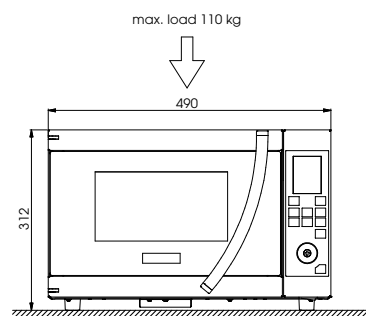
### Anti-Cold-Spots-technology



GGM 1000



Gastro microwave



## Gigatherm takes over

entire processes

From food development and preparation to microwave technology for numerous applications and the production of prototypes or entire systems. We are an amalgamation of different competences that complement each other perfectly and have one thing in common: **the development of your solution.** This flexibility makes both our know-how and our range of services extremely comprehensive. For you as a customer, this means innovations that guarantee both time and cost profitability. And always to your taste. Whether in the food sector or in the highly technical engineering sector, and this since 1975.

**Taste, profitability, market needs. Where complex skills are in demand, it takes a company that responds with creative developments. Our favourite language.**